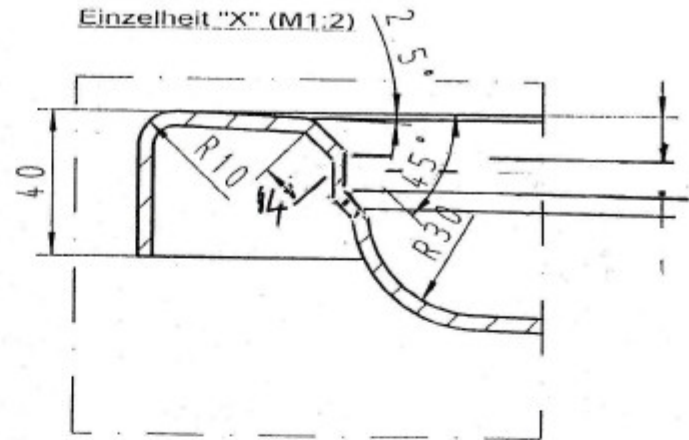


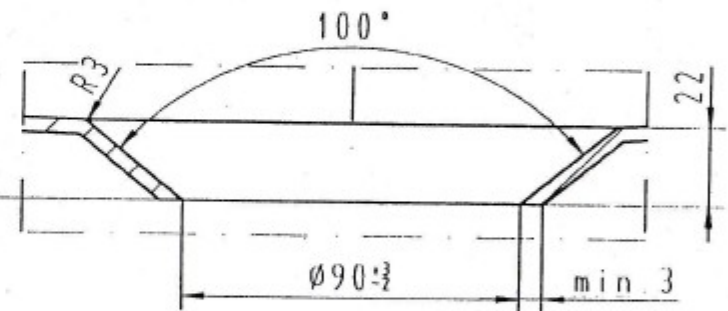
Schnitt A-A



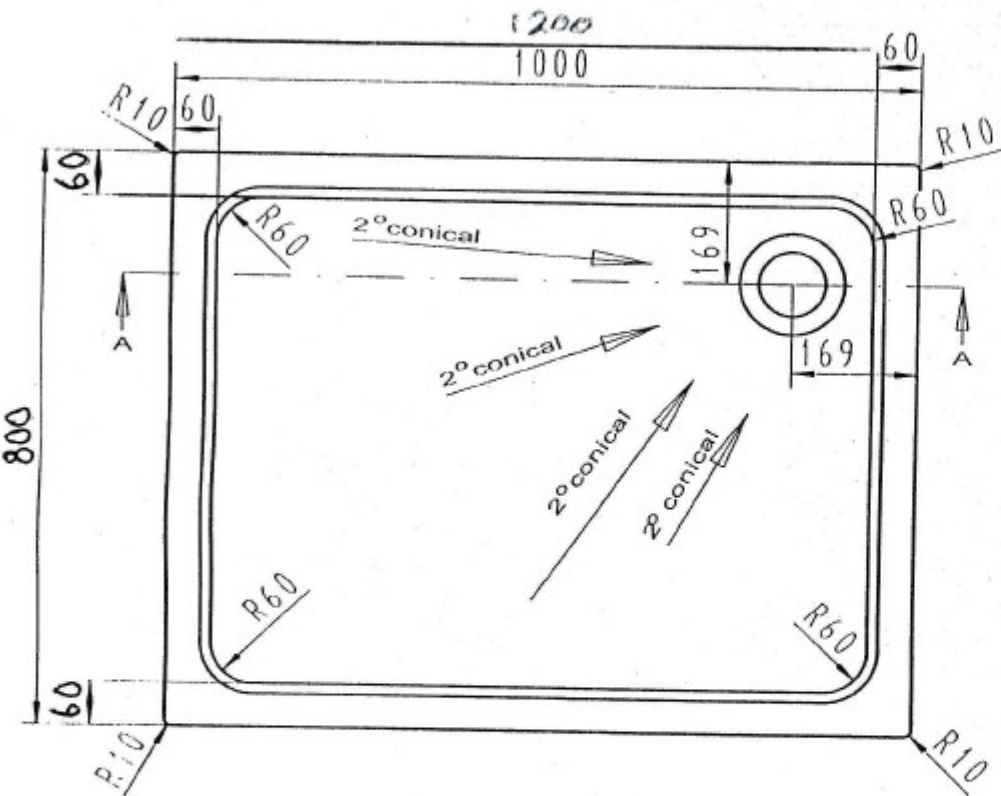
Einzelheit "X" (M1:2)



Einzelheit "Y" (M1:2)



Waste to be back spot faced



Duschwanne 1000\*800

07.04.03 rr

M1:10 (1:2)

St. Laurent 100x80  
120x80

All dimensions are valid for finished product