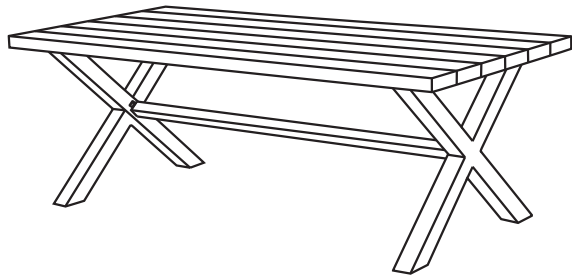
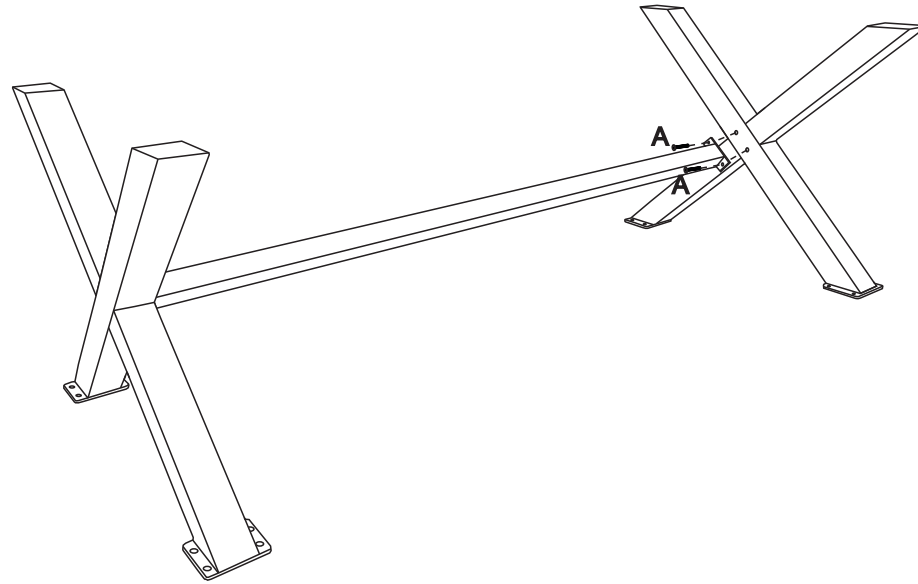


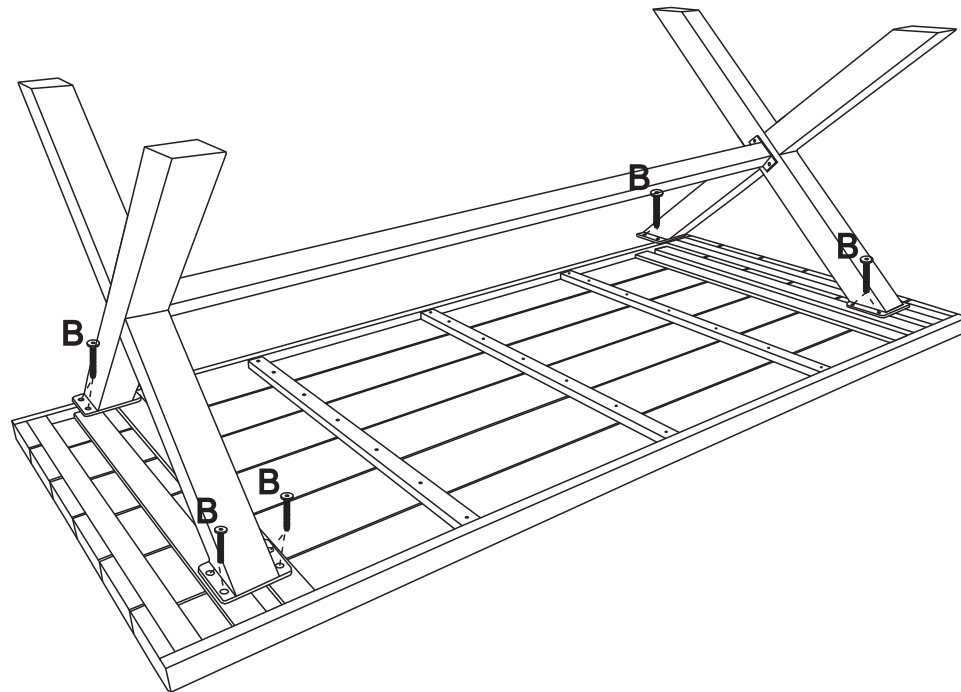
ASSEMBLY INSTRUCTIONS PI/2020



1

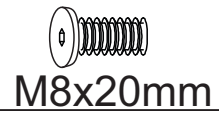


2



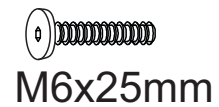
HARDWARE

A



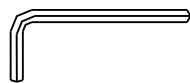
4pcs

B



16pcs

C



2pcs